

# Dispermill Discovery 300®

Laboratory Dissolver

## INNOVATION

User-friendly is the key element for the innovative Dispermill Discovery 300. With many improved features such as an optimized control system, compact solvent resistant tempered glass touch screen and a multi jog LED interface knob that provides you much faster control on the menu. The Dispermill Discovery 300 is the machine to upgrade your research and development processes.

## CREATED FOR YOU

The revolutionary design of this laboratory dissolver is more compact than ever and provides enhanced ease of operation. The Dispermill Discovery 300 offers an electronically adjustable frame. Besides, the stainless steel design is chemical resistant and easy to clean.

## APPLICATION

The Dispermill Discovery 300 offers both fine milling and vacuum options. To meet your personal research and development requirements different stainless steel dispersing, mixing and milling elements can be added.

## FEATURES

- ✓ Optimized Control System
- ✓ Compact solvent resistant touch screen
- ✓ LED Interface knob
- ✓ Adjustable timer with automatic stop
- ✓ Readout of kW, tip speed and temperature
- ✓ Reduced noise level
- ✓ Programmable temperature alarm

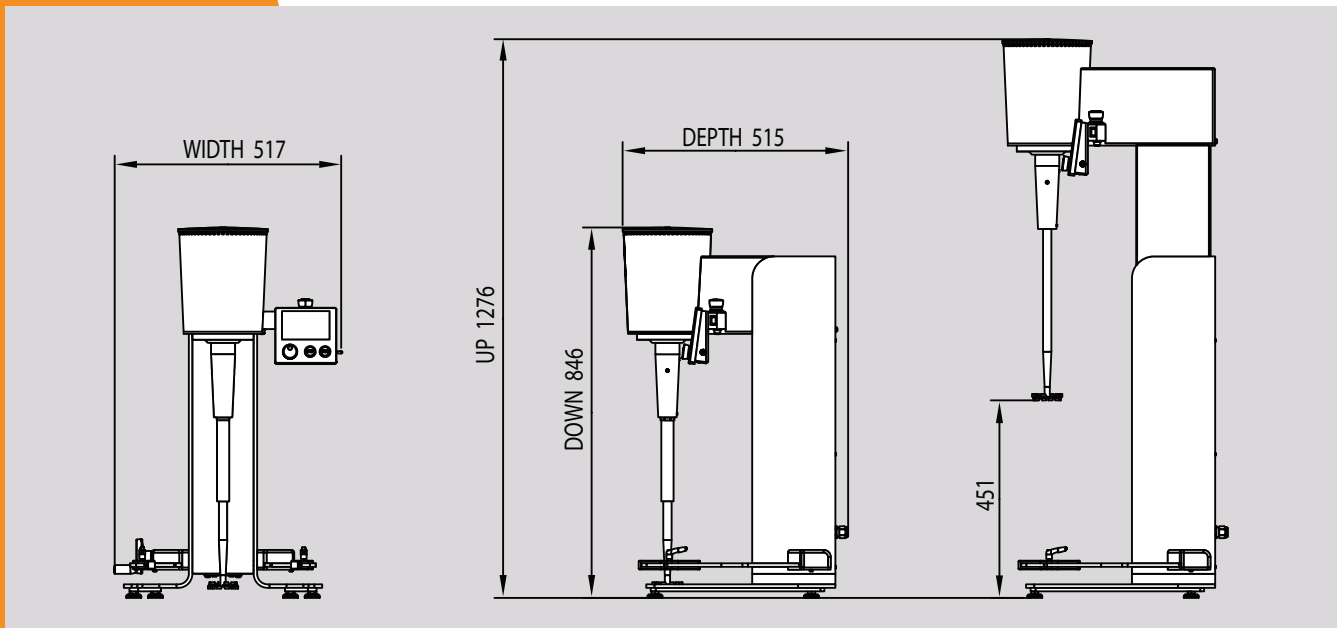


**Dispermill Discovery 300**

**Order code**

2,2 kW, 3 HP, 0 - 4.500 RPM, 500 ml - 25 L

10-5300



## TECHNICAL SPECIFICATIONS

<b>Power</b>	2,2 kW / 3 HP
<b>Supply</b>	400 V +/- 10% 50/60 Hz
<b>Cooling</b>	Low noise ventilator
<b>Speed</b>	0 till 4500 RPM
<b>Torque</b>	7,6 Nm
<b>Thermal protection</b>	PTC Temperature sensors
<b>Electrical connection</b>	1.5 m power cord with 16A/CEE 5-pole plug
<b>Volume range vessel</b>	500 ml - 25 L
<b>Diameter vessel</b>	80 - 305 mm (min. - max.)
<b>Height vessel</b>	85 - 430 mm (min. - max.)
<b>Dispersing disc</b>	100 mm (interchangeable)
<b>Dimensions (in mm)</b>	515 x 517 x 846/1276 (D x W x H)
<b>Weight</b>	80 KG
<b>Digital Control Panel</b>	5" TFT color touch panel
<b>Countdown Timer</b>	Adjustable from 1 min till 20 hours
<b>Safety CE</b>	Conformity Directive 2006/42/EC

## OPTIONS

